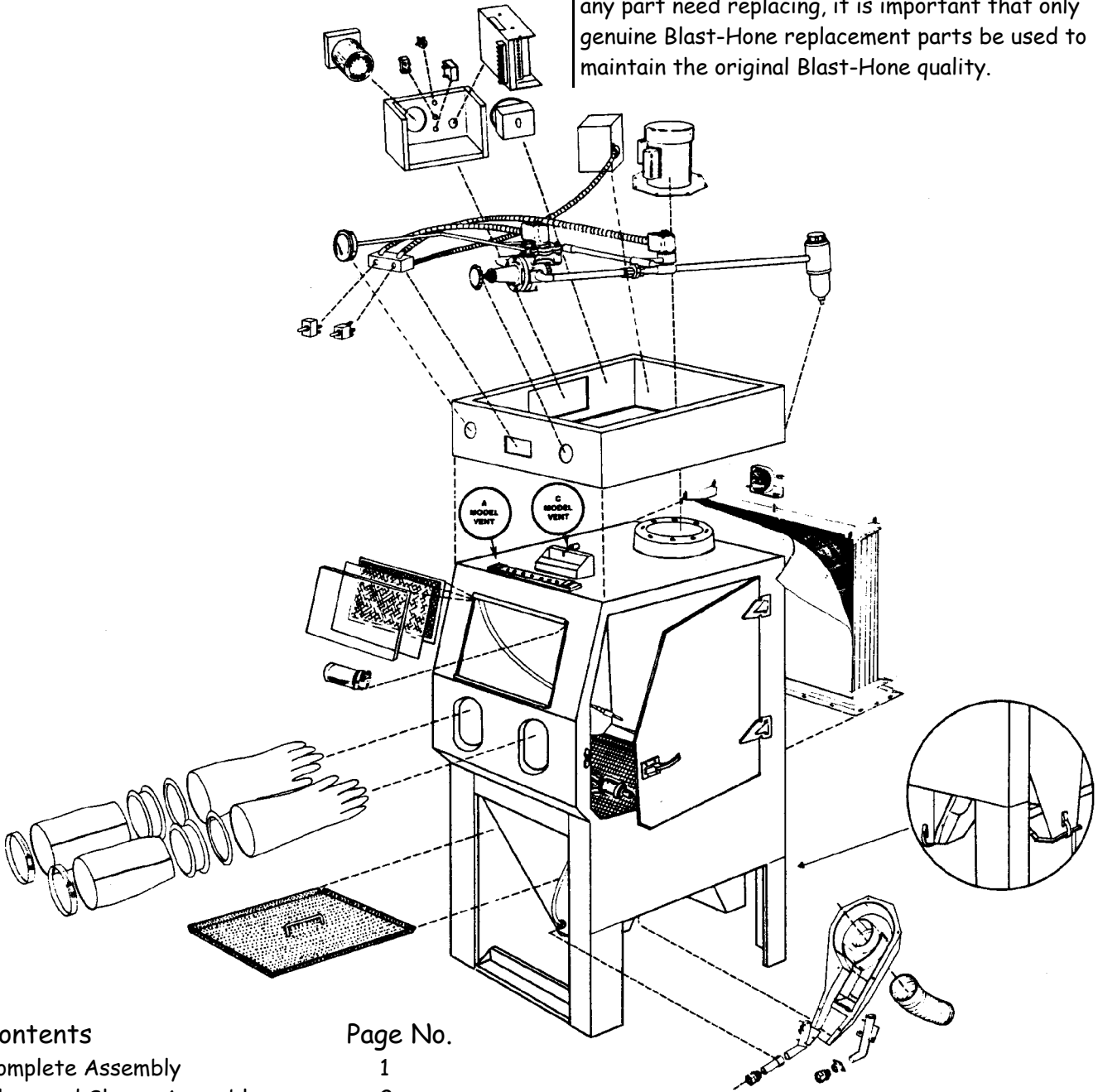


# Blast-Hone

## Complete Assembly

All Blast-Hone Equipment has been engineered to provide maximum performance and economical operation. Each part has been selected and designed to operate efficiently with the other components. Should any part need replacing, it is important that only genuine Blast-Hone replacement parts be used to maintain the original Blast-Hone quality.



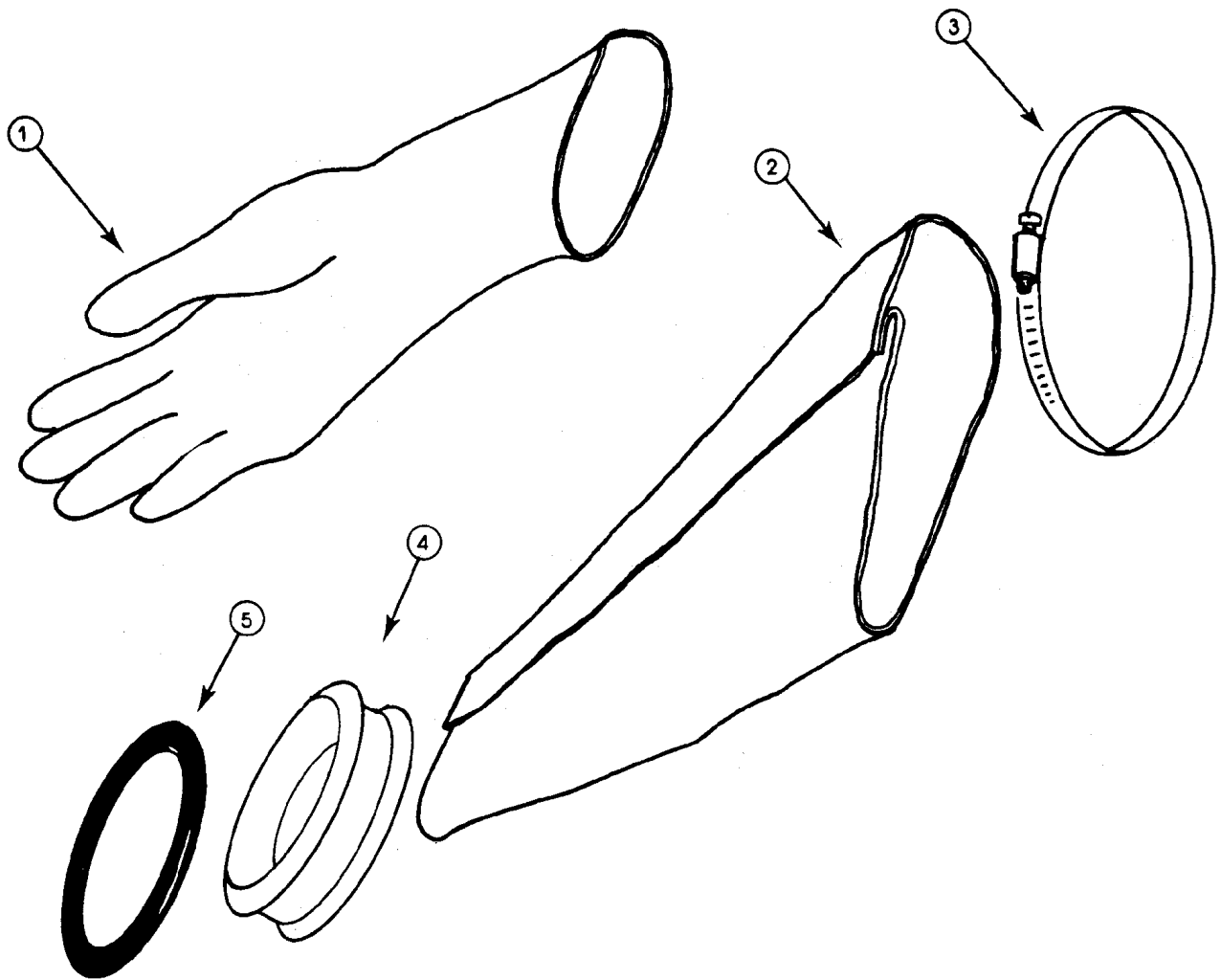
### Contents

Complete Assembly	1
Glove and Sleeve Assembly	2
Electrical Components	3
Blast Gun Assembly	4
Dust Collector Assembly	5
Air Line Components	6
Cabinet Hardware and Seals	7
Tumbling Barrel components	8
Separator & Pick-up Assembly	9

### Page No.

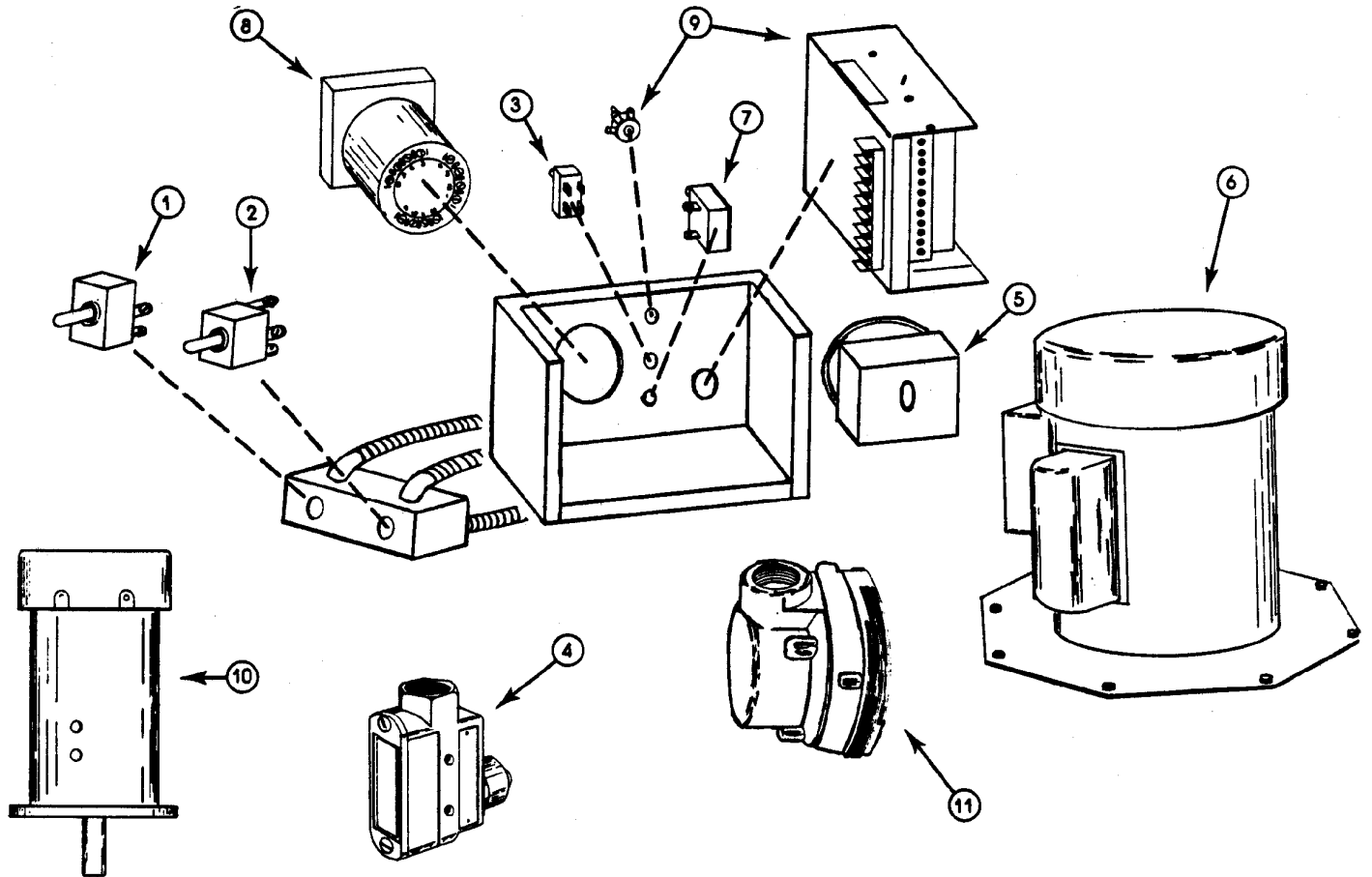
# Blast-Hone

## Glove and Sleeve Assembly



<u>Ref. No.</u>	<u>Description</u>	<u>Order No.</u>
1	Gloves, Cotton Lined 510-101	510-101
1	Gloves, Rubber - Size 10 ½	510-103
1	Gloves, Rubber - Size 11	510-104
2	Sleeves, Naugahyde Model 24	510-107
2	Sleeves, Naugahyde Model 36	510-108
2	Sleeves, Naugahyde Model 36 - Long	510-109
2	Sleeves, Polyurethane Model 24	510-127
2	Sleeves, Polyurethane Model 36	510-128
2	Sleeves, Polyurethane Model 36 - Long	510-129
2	Sleeves, Polyurethane Model 45 - Long	510-130
3	Sleeve Clamp	510-111
4	Sleeve Adapter	510-112
5	Sleeve O-Ring	510-113
(Not Shown)	Static Wrist Reducers	510-110

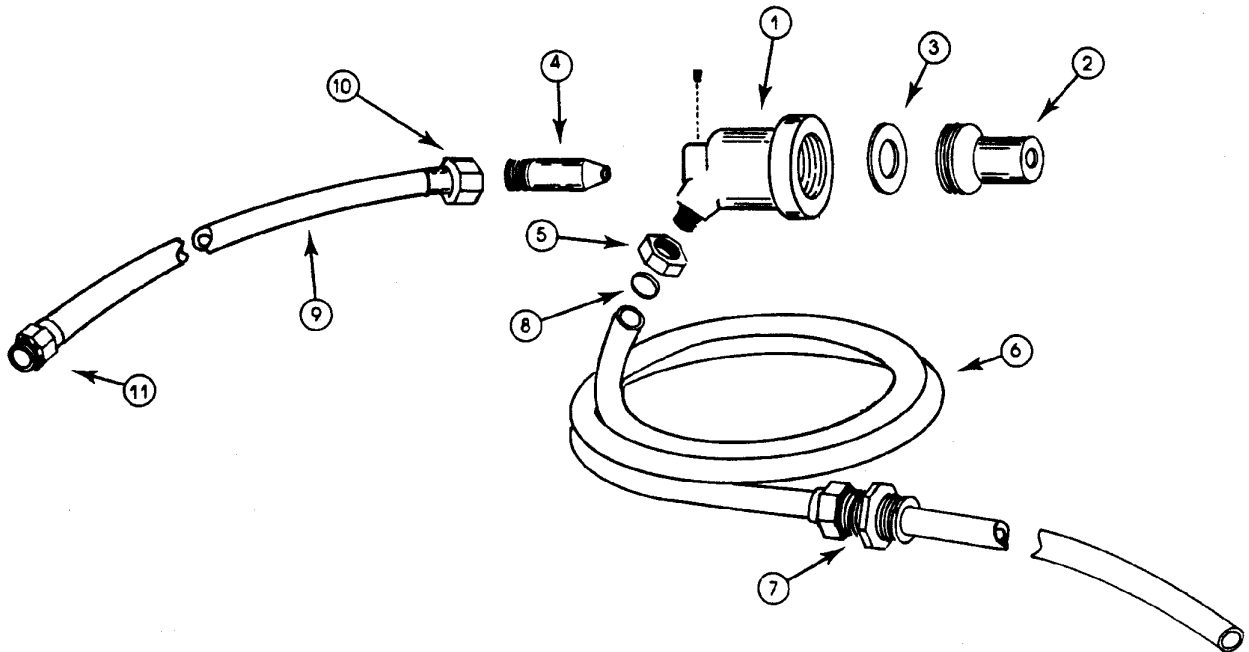
# Blast-Hone | Electrical Components



<u>Ref. No.</u>	<u>Description</u>	<u>Order No.</u>
1	Switch, Light S.P.S.T.	510-201
2	Switch, Blower S.P.D.T.	510-202
3	Switch, Tumbling Barrel D.P.D.T.	510-203
4	Switch, Foot Pedal - Micro	510-204
5	Switch, Pressure Sensing	510-205
6	Motor, Blower $\frac{3}{4}$ HP Model 3600, 3648, 4800	510-206
6	Motor, Blower $\frac{1}{2}$ HP Model 2400	510-212
6	Motor, Blower 1 HP Model 4860	510-213
7	Switch, Tumbling Barrel Start	510-207
8	Timer, Tumbling Barrel	510-208
9	Controller, Tumbling Barrel	510-209
10	Motor, Tumbling Barrel	510-210
11	Light, Fixture	510-211

# Blast-Hone

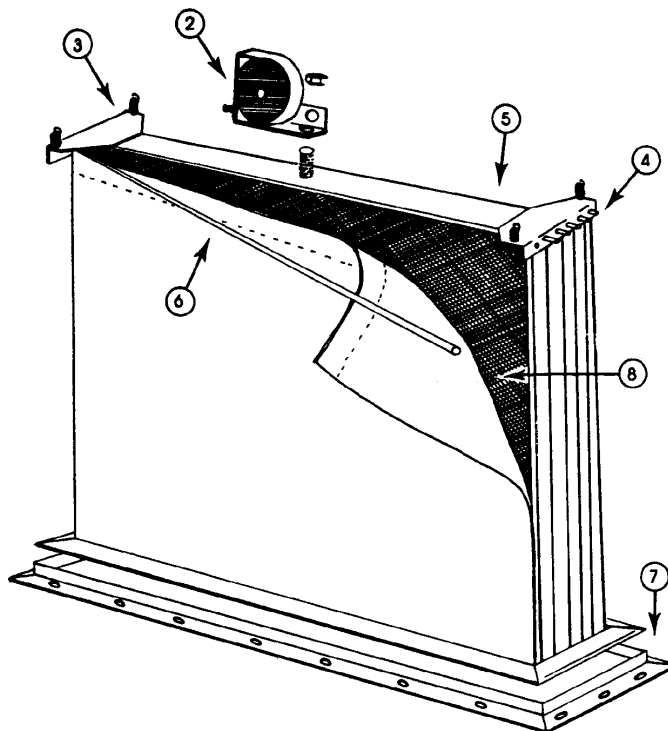
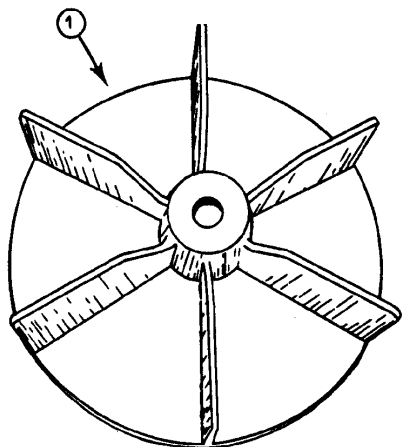
# Blast Gun Assembly



<u>Ref. No.</u>	<u>Description</u>	<u>Order No.</u>
1	Gun Body	510-301
2	Nozzle, Tungsten Carbide 5/16" Bore	510-303
2	Nozzle, Tungsten Carbide 3/8" Bore	510-304
2	Nozzle, Tungsten Carbide 1/2" Bore	510-305
2	Nozzle, Boron Carbide 5/16" Bore	510-311
2	Nozzle, Boron Carbide 3/8" Bore	510-312
2	Nozzle, Boron Carbide 1/2" Bore	510-313
3	Gasket, Nozzle	510-309
4	AirJet 1/8" Bore	510-314
4	AirJet 3/16" Bore	510-315
4	AirJet 1/4" Bore	510-316
5	Connector, Abrasive Hose	510-317
6	Hose, Abrasive Model 24	510-318
6	Hose, Abrasive Model 36	510-319
6	Hose, Abrasive Model 3648 & 48	510-320
6	Hose, Abrasive Model 4860	510-330
7	Hose, Abrasive 1" Strain Relief	510-321
8	Hose, Abrasive "O" ring	510-322
9	Hose, Air Model 24	510-323
9	Hose, Air Model 36	510-324
9	Hose, Air Model 3648 & 48	510-325
9	Hose, Air Model 4860	510-326
10	Hose, Air - Female Fitting	510-327
11	Hose, Air - Male Fitting	510-328
(Not Shown)	Hose, Abrasive - Bulk	510-329
(Not Shown)	Standard Nozzle Holder	510-302

# Blast-Hone

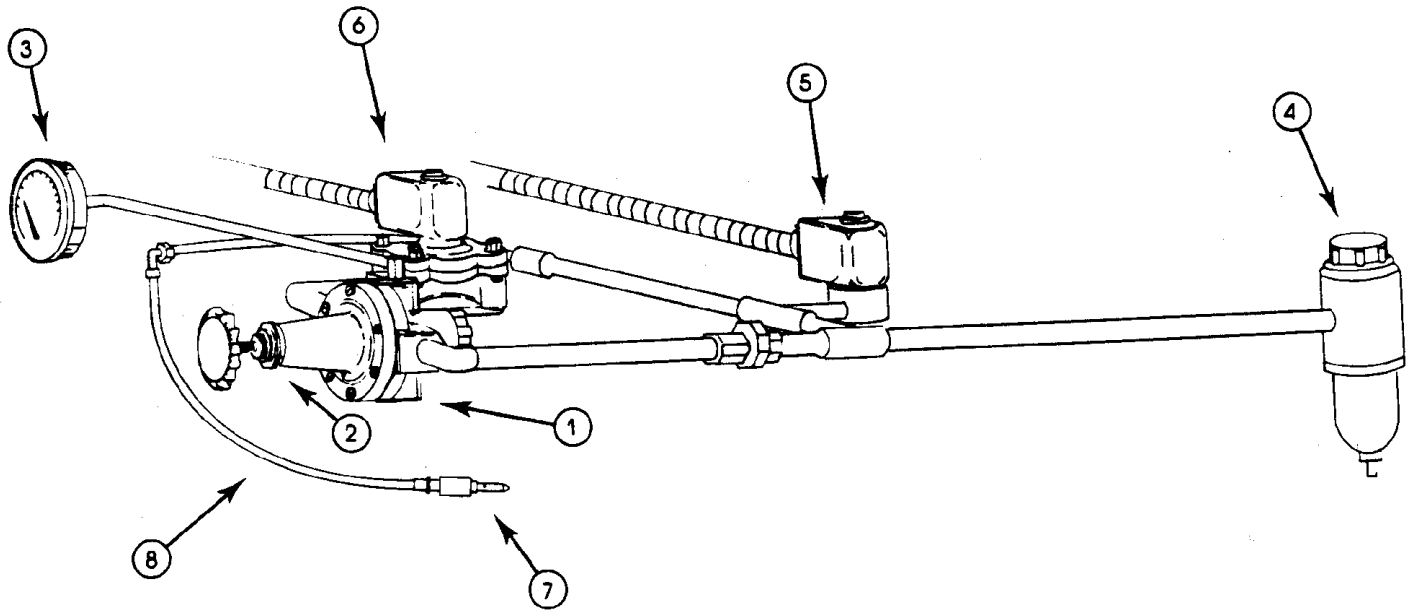
## Dust Collector Assembly



<u>Ref. No.</u>	<u>Description</u>	<u>Order No.</u>
1	Impeller, 9"	510-401
1	Impeller, 10 1/2"	510-402
2	Shaker Vibrator	510-403
3	Shaker Springs	510-404
4	Filter Bags, Sateen Cotton - Model 24	510-405
4	Filter Bags, Sateen Cotton - Model 36	510-407
4	Filter Bags, Sateen Cotton - Model 3648 & 48	510-408
4	Filter Bags, Sateen Cotton - Model 4860	510-421
5	Shaker Frame - Model 24	510-409
5	Shaker Frame - Model 36	510-410
5	Shaker Frame - Model 3648 & 48	510-411
5	Shaker Frame - Model 4860	510-425
6	Bag Support Rods, 1/4" Steel - Model 24	510-412
6	Bag Support Rods, 1/4" Steel - Model 36	510-413
6	Bag Support Rods, 1/4" Steel - Model 3648 & 48	510-414
6	Bag Support Rods, 1/4" Steel - Model 4860	510-426
7	Bag Hold Down Frame - Model 24	510-415
7	Bag Hold Down Frame - Model 36	510-416
7	Bag Hold Down Frame - Model 3648 & 48	510-417
7	Bag Hold Down Frame - Model 4860	510-427
8	Bag Separators - Model 24	510-418
8	Bag Separators - Model 36	510-419
8	Bag Separators - Model 3648 & 48	510-420
8	Bag Separators - Model 4860	510-428

# Blast-Hone

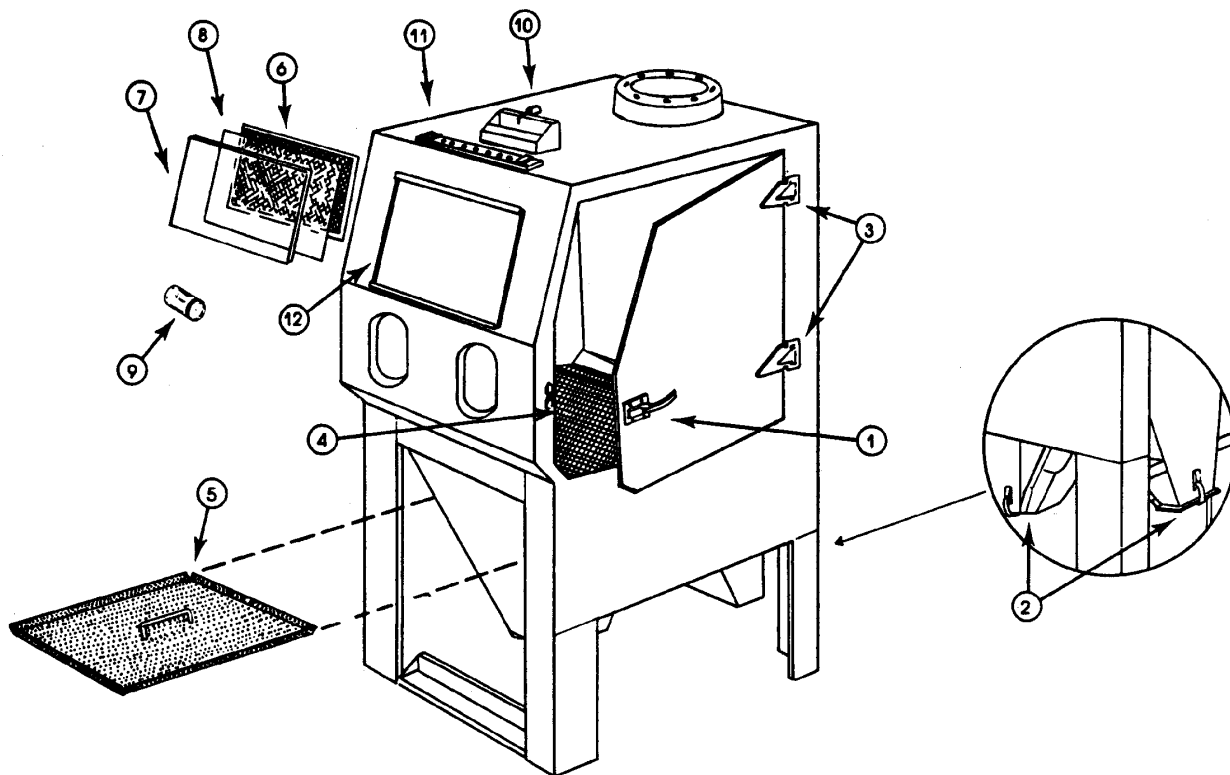
## Air Line Components



<u>Ref. No.</u>	<u>Description</u>	<u>Order No.</u>
1	Air Regulator w/ Panel Mount	510-501
2	Air Regulator Bonnet	510-502
3	Pressure Gauge 2"	510-508
4	Air Line Filter 1/2"	510-509
4	Air Line Filter 3/4"	510-515
5	Solenoid, 1/4" Shaker	510-518
6	Solenoid, 1/2" Blast	510-520
7	Blow Off Gun	510-523
8	Hose, Blow Off - Model 24	510-524
8	Hose, Blow Off - Model 36	510-525
8	Hose, Blow Off - Model 3648 & 48	510-526
8	Hose, Blow Off - Model 4860	510-527
(Not Shown)	Solenoid, 3/8" Blow Off	510-521

# Blast-Hone

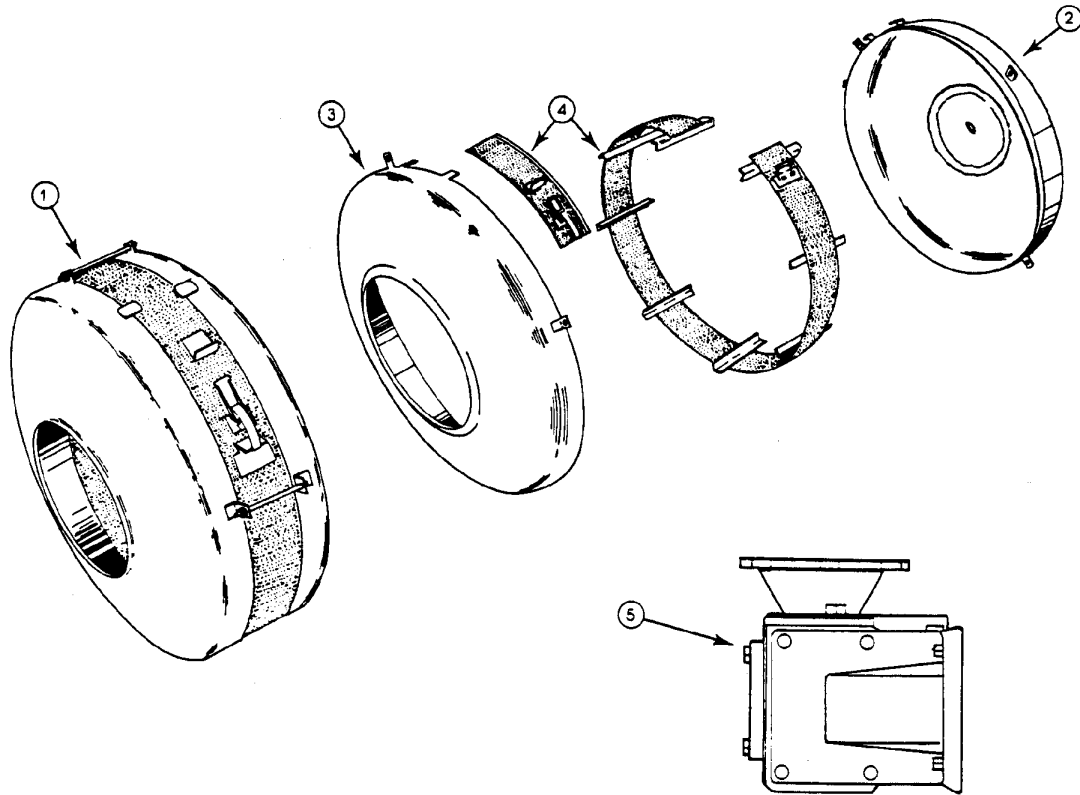
## Cabinet Hardware and Seals



<u>Ref. No.</u>	<u>Description</u>	<u>Order No.</u>
1	Latch, Cabinet Door	510-601
2	Latch, Hopper Doors	510-607
3	Hinge, Standard Door	510-604
3	Hinge, Tumbling Barrel Door	510-605
4	Grate, Primary - Model 24	510-114
4	Grate, Primary - Model 36	510-115
4	Grate, Primary - Model 3648	510-116
4	Grate, Primary - Model 48	510-131
4	Grate, Primary - Model 4860	510-133
5	Screen, Secondary - Model 24	510-117
5	Screen, Secondary - Model 36	510-118
5	Screen, Secondary - Model 3648	510-119
5	Screen, Secondary - Model 48	510-132
5	Screen, Secondary - Model 4860	510-134
6	Screen, Window 12 x 18	510-125
6	Screen, Window 16 x 20	510-126
7	Glass, Window Safety 12 x 18	510-121
8	Glass, Window Raw 12 x 18	510-123
9	Glass Globe	510-613
10	Filter, Air Intake - Model C	510-611
11	Filter, Air Intake - Model A	510-610
12	Seals, Window 12 x 18	510-602
(Not Shown)	Seals, Door	510-608

# Blast-Hone

## Tumbling Barrel Components

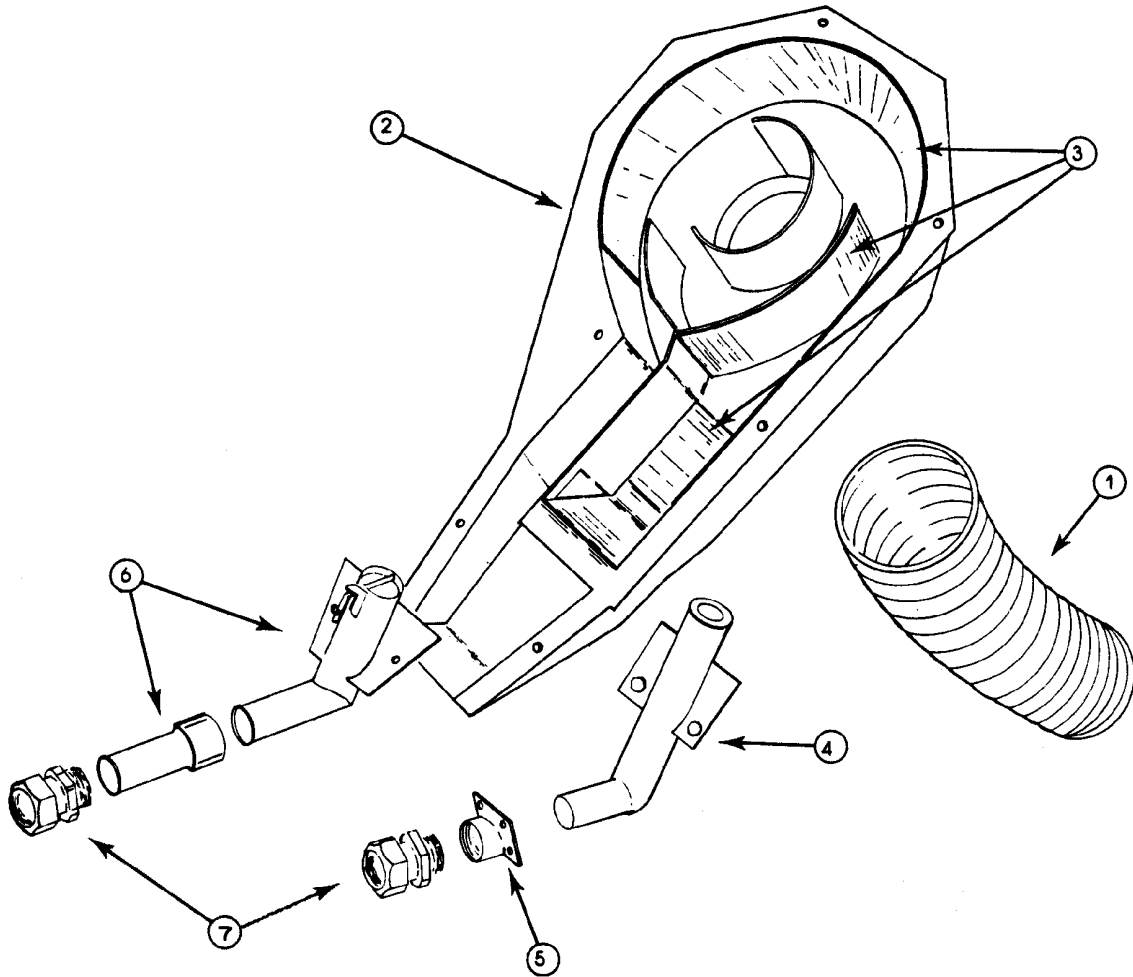


<u>Ref. No.</u>	<u>Description</u>	<u>Order No.</u>
1	Tumbling Barrel 11 x 22 Complete	510-702
2	Rear Half Tumbling Barrel	510-704
3	Front Half Tumbling Barrel	510-705
2	Rear Half Tumbling Barrel - Narrow	510-706
3	Front Half Tumbling Barrel - Narrow	510-707
4	Tumbling Barrel Replacement Strip 1" No Door	510-708
4	Tumbling Barrel Replacement Strip 3" No Door	510-709
4	Tumbling Barrel Replacement Strip 3" Slide Door	510-710
4	Tumbling Barrel Replacement Strip 3" Hinged Door	510-711
4	Tumbling Barrel Replacement Strip 3" Drop Away Door	510-712
4	Tumbling Barrel Replacement Strip 4" No Door	510-713
4	Tumbling Barrel Replacement Strip 4" Slide Door	510-714
4	Tumbling Barrel Replacement Strip 4" Hinged Door	510-715
4	Tumbling Barrel Replacement Strip 4" Drop Away Door	510-716
4	Tumbling Barrel Replacement Strip 5" No Door	510-717
4	Tumbling Barrel Replacement Strip 5" Slide Door	510-718
4	Tumbling Barrel Replacement Strip 5" Hinged Door	510-719
4	Tumbling Barrel Replacement Strip 5" Drop Away Door	510-720
5	Tumbling Barrel Gear Box & Mount	510-723
(Not Shown)	Tumbling Barrel Drive Plate	510-703
(Not Shown)	Tumbling Barrel Closure Plate	510-725
(Not Shown)	Tumbling Barrel Nozzle Holder Complete	510-728



# Blast-Hone

## Separator and Pick-up Assembly



<u>Ref. No.</u>	<u>Description</u>	<u>Order No.</u>
1	Separator Duct - Model 24	510-801
1	Separator Duct - Model 36	510-802
1	Separator Duct - Model 3648	510-803
1	Separator Duct - Model 48	510-804
1	Separator Duct - Model 4860	510-809
2	Separator, Closed End	510-806
2	Separator, Open End	510-807
3	Separator, Liner Kit	510-805
(Not Shown)	Separator, Gasket (Multiple Pieces)	510-808
(Not Shown)	Separator, Gasket (One Piece - New Style)	510-808A
(Not Shown)	Separator, Plate	510-810
4	Abrasive, Pickup - Model A	510-822
5	Abrasive, Transition - Model A	510-823
6	Abrasive, Pickup - Model C	510-826
7	1" Strain Relief	510-321
(Not Shown)	Abrasive, Pickup - Model C - 2 Gun	510-825
(Not Shown)	Abrasive, Flow Control	510-824